

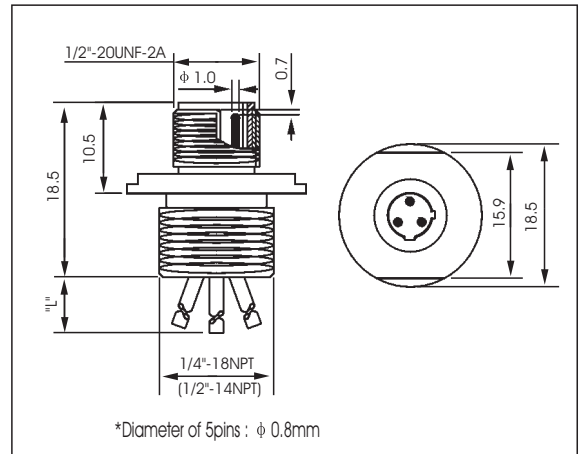
MICRO-STYLE QUICK DISCONNECT CABLES

View



- Micro-style receptacle
- Front mounting
- With wire ends
- Thread receptacle side 1/4"-18NPT or 1/2"-14NPT

Dimensional data



Technical Data

Application Class: HNA acc. to DIN 40040
 (-25 °C / +90 °C / \leq 100%rF)

Moulded Body: TPU, self-extinguishing

Nominal Power: 4A

Nominal Voltage: 300V AC

Contact: CuZn, brass ,pre-nickeled and
 0.8 microns gold-plated

Body: TPU, self-extinguishing

Receptacle Housing: Nickel plated brass

O-Ring: Viton


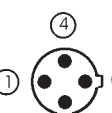
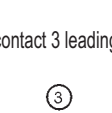
Protection: IP 68

Test Voltage: 2.0 KV eff./60s.

Insulation Resistance: > 10⁹ Ω

CSA certified: 219967

Catalog Number

Part-No	Poles	Face View male	Color Code	Conductors		Conductor insulation ϕ mm(single)
				Guage	Stranding	
U-MS3FA/0.5/ 1/4"-18NPT	3	contact 1 leading 	1=green 2=red/black 3=red/white	0.34mm ²	42x ϕ 0.10	1.6
U-MS3FA/0.5/ 1/2"-14NPT						
U-MS4FA/0.5/ 1/4"-18NPT	4	contact 4 leading 	1=red/black 2=red/white 3=red 4=green	0.34mm ²	42x ϕ 0.10	1.6
U-MS4FA/0.5/ 1/2"-14NPT						
U-MS5FA/0.5/ 1/4"-18NPT	5	contact 3 leading 	1=red/white 2=red 3=green 4=red/yellow 5=red/black	0.34mm ²	42x ϕ 0.10	1.6
U-MS5FA/0.5/ 1/2"-14NPT						

Standard length: 0.5m, 2.0 m. Other cable length or cable specifications on request.